

BLUE STAR

Power Systems Inc.

Diesel Product Line

208-600 Volt

JD415-01

60 Hz / 1800 RPM

415 kWe / 375 kWe

Standby / Prime

Ratings

	208V	240V	480V	600V
Phase	3	3	3	3
PF	0.8	0.8	0.8	0.8
Hz	60	60	60	60
Generator Model	572RSL4025	572RSL4025	433CSL6220	572RSS4270
Connection	12 LEAD WYE	12 LEAD DELTA	12 LEAD WYE	4 LEAD WYE
Standby				
kWe	415	415	415	415
AMPS	1442	1249	625	500
Temp Rise	130°C / 27°C	130°C / 27°C	130°C / 27°C	130°C / 27°C
Prime [Only Available For Mobile Applications]				
kWe	375	375	375	375
AMPS	1303	1129	564	452
Temp Rise	105°C / 40°C	105°C / 40°C	105°C / 40°C	105°C / 40°C

Standard Equipment

Engine

- ▶ Radiator Cooled Unit Mounted (50°C)
- ▶ Blower Fan & Fan Drive
- ▶ Starter & Alternator
- ▶ Oil Pump & Filter
- ▶ Oil Drain Extension w/Valve
- ▶ Governor - Electronic Isochronous
- ▶ 24V Battery System & Cables
- ▶ SAE Flywheel Housing
- ▶ Air Cleaner (Dry Single Stage)
- ▶ Flexible Fuel Connectors
- ▶ EPA Certified - Tier 3

Generator

- ▶ Brushless Single Bearing
- ▶ Automatic Voltage Regulator
- ▶ ± 1.0% Voltage Regulation
- ▶ 4 Pole, Rotating Field
- ▶ 130°C Standby Temperature Rise
- ▶ 105°C Prime Temperature Rise
- ▶ 100% of Rated Load - One Step
- ▶ 5% Maximum Harmonic Content
- ▶ NEMA MG 1, IEEE and ANSI standards compliance for temperature rise

Additional

- ▶ UL 2200 Listed
- ▶ cUL Listed
- ▶ Microprocessor Based Digital Control
- ▶ Base - Structural Steel
- ▶ Main Line Circuit Breaker Mounted & Wired
- ▶ Critical Grade Silencer Mounted
- ▶ Battery Charger 24V 5 Amp
- ▶ Jacket Water Heater -20°F 4000W 240V w/Isolation Valves
- ▶ Vibration Isolation Mounts (Pad Type)
- ▶ Radiator Duct Flange (OPU Only)
- ▶ Single Source Supplier
- ▶ 2YR / 2000HR Standby Warranty
- ▶ 1YR / 1500HR Prime Warranty
- ▶ Standard Colors - White / Tan / Gray



Application Data

Engine			
Manufacturer:	John Deere	Displacement - Cu. In. (lit):	824 (13.5)
Model:	6135HF485	Bore - in. (cm) x Stroke - in. (cm):	5.2 (13.2) x 6.5 (16.5)
Type:	4-Cycle	Compression Ratio:	16.0:1
Aspiration:	Turbo Charged, CAC	Rated RPM:	1800
Cylinder Arrangement:	6 Cylinder Inline	Max HP Stby (kWm):	617 (460)

Exhaust System	Standby	Prime
Gas Temp. (Stack): °F (°C)	880 (471)	801 (427)
Gas Volume at Stack Temp: CFM (m³/min)	2,860 (80.9)	2,578 (73.0)
Maximum Allowable Exhaust Restriction: in. H2O (kPa)	40.0 (10.0)	40.0 (10.0)

Cooling System	Standby	Prime
Ambient Capacity of Radiator: °F (°C)	122 (50.0)	122 (50.0)
Maximum Allowable Static Pressure on Rad. Exhaust: in. H2O (kPa)	0.5 (0.12)	0.5 (0.12)
Water Pump Flow Rate: Gpm (lit/min)	124 (469)	124 (469)
Heat Rejection to Coolant: BTUM (kW)	13,148 (230)	11,953 (209)
Heat Rejection to CAC: BTUM (kW)	6,944 (122)	6,660 (117)
Heat Radiated to Ambient: BTUM (kW)	3,425 (59.9)	3,095 (54.2)

Air Requirements	Standby	Prime
Aspirating: CFM (m³/min)	1,201 (34.0)	1,130 (32.0)
Air Flow Required for Rad. Cooled Unit: CFM (m³/min)	23,750 (672)	23,750 (672)
Air Flow Required for Heat Exchanger/Rem. Rad. CFM (m³/min)	Consult Factory For Remote Cooled Applications	

Fuel Consumption	Standby	Prime
At 100% of Power Rating: gal/hr (lit/hr)	30.5 (115.6)	26.6 (100.9)
At 75% of Power Rating: gal/hr (lit/hr)	22.4 (84.8)	19.7 (74.7)
At 50% of Power Rating: gal/hr (lit/hr)	15.2 (57.6)	13.7 (51.8)

Fluids Capacity	Standby	Prime
Total Oil System: gal (lit)	15.9 (60.0)	15.9 (60.0)
Engine Jacket Water Capacity: gal (lit)	4.76 (18.0)	4.76 (18.0)
System Coolant Capacity: gal (lit)	23.0 (87.1)	23.0 (87.1)

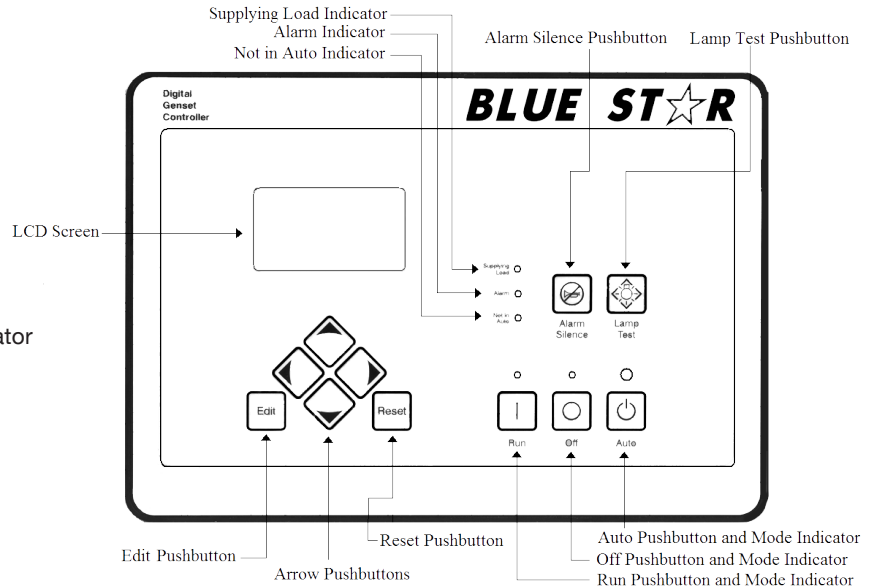
Deration Factors

Rated Power is available up to 10,000 ft (3048 m) at ambient temperatures to 122°F (50°C) standby and prime. Consult factory for site conditions above these parameters.

DGC-2020 Control Panel

Standard Features

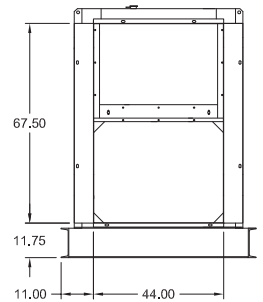
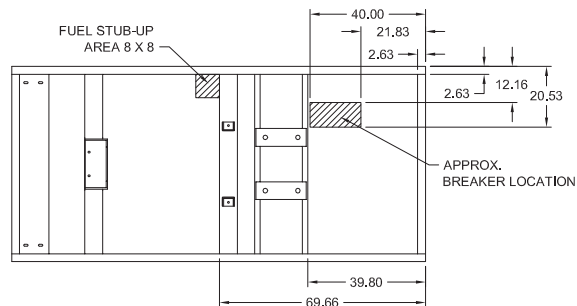
- ▶ Digital Metering
- ▶ Engine Parameters
- ▶ Generator Protection Functions
- ▶ Engine Protection
- ▶ CAN Bus ECU Communications
- ▶ Windows-Based Software
- ▶ Multilingual Capability
- ▶ Remote Communications to RDP-110 Remote Annunciator
- ▶ 16 Programmable Contact Inputs
- ▶ Up to 15 Contact Outputs (7 standard)
- ▶ UL Recognized, CSA Certified, CE Approved
- ▶ Event Recording
- ▶ IP 54 Front Panel Rating with Integrated Gasket
- ▶ NFPA 110 Level 1 Compatible



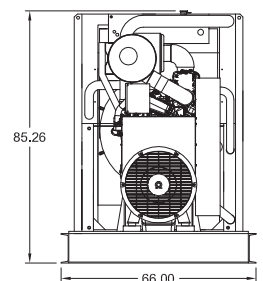
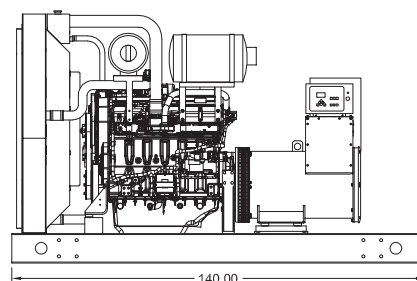
Weights / Dimensions / Sound Data

	L x W x H	Weight lbs
OPU	140 x 66 x 85 in	8050
Level 1	140 x 66 x 105 in	9125
Level 2	140 x 66 x 123 in	9600
Level 3	195 x 66 x 112 in	10,050

Height measured from bottom of base to exhaust stack.



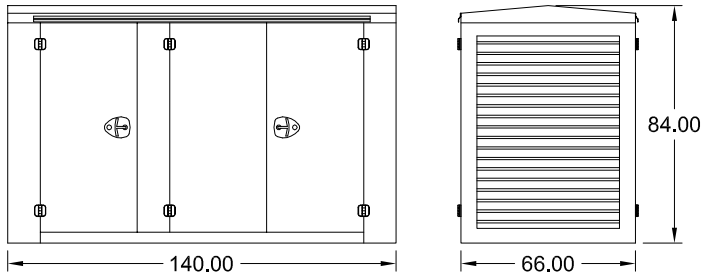
	No Load	Full Load
OPU	85 dBA	89 dBA
Level 1	82 dBA	86 dBA
Level 2	81 dBA	84 dBA
Level 3	71 dBA	73 dBA



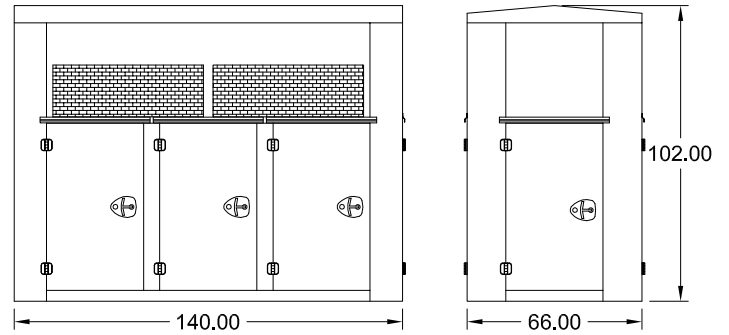
Drawings based on standard open power 480 volt standby generator. Lengths may vary with other voltages. Subject to change without notice. Sound data as measured at 23 feet (7 meters) in accordance with ISO 8528-10 at standby rating.

Optional Enclosures and Fuel Tanks

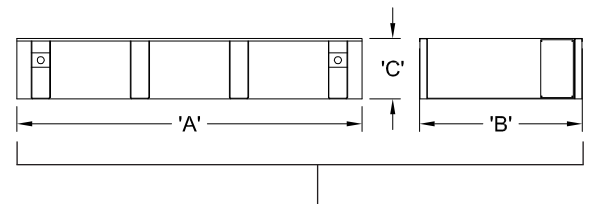
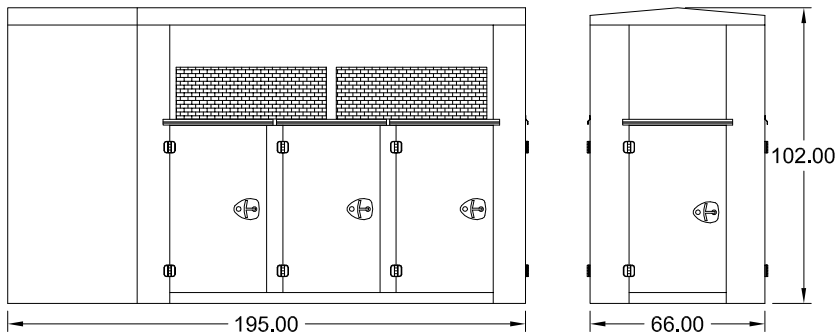
Level 1 Enclosure (WPE)



Level 2 Enclosure (WPF)



Level 3 Enclosure (SAE)



*Level 1 enclosures are 100 MPH Wind Rated as standard (up to 150 MPH available).

**Level 2 & 3 enclosures are 150 MPH Wind Rated as standard.

***Enclosure height does not include unit base or exhaust stack.

Double Wall UL 142 Listed Fuel Tanks

	24 Hour (640 Gallon)			48 Hour (1280 Gallon)			72 Hour (1920 Gallon)		
	A	B	C	A	B	C	A	B	C
OPU	140.00	66.00	24.00	178.00	66.00	36.00	255.00	66.00	36.00
Level 1	140.00	66.00	24.00	178.00	66.00	36.00	255.00	66.00	36.00
Level 2	140.00	66.00	24.00	178.00	66.00	36.00	255.00	66.00	36.00
Level 3	195.00	66.00	16.00	195.00	66.00	32.00	255.00	66.00	36.00

*All specification sheet dimensions are represented in inches.

**All enclosures and fuel tanks are based on the standard standby unit configuration. Any deviation can change dimensions.

***Level 1 enclosure not UL listed.

Materials and specifications subject to change without notice.

Distributed By:



Blue Star Power Systems, Inc.

52146 Ember Rd, Lake Crystal, MN 56055

Phone + 1 507 726 2508

www.bluestarps.com