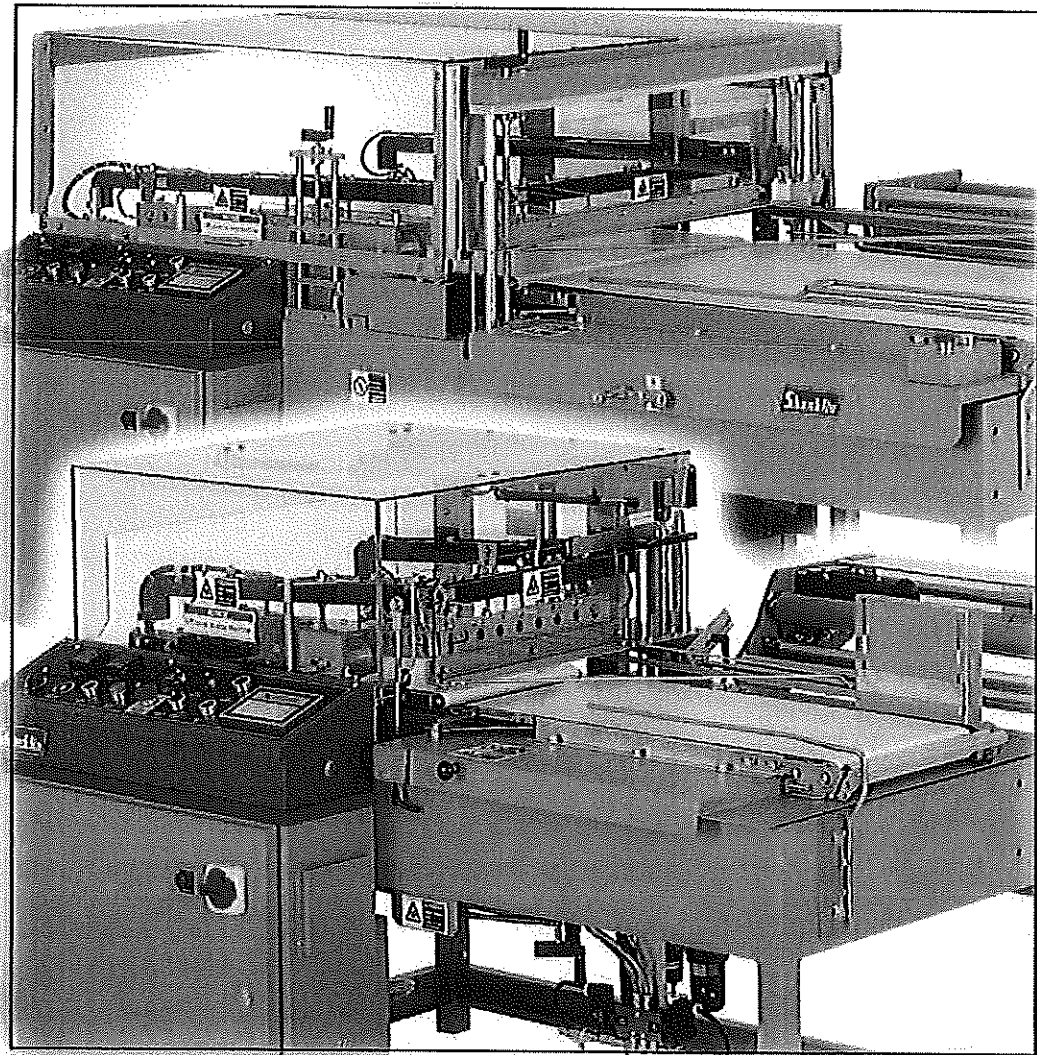


 **Sealed Air**  
**Shanklin®**  
Shrink Packaging Machinery

---

## Shanklin® Automatic L-Sealers

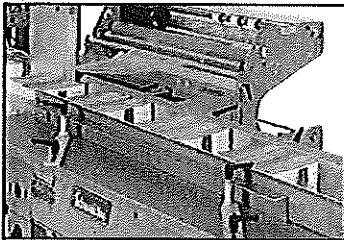
Consistent Quality, Performance, and Reliability in a Flexible L-Seal Design



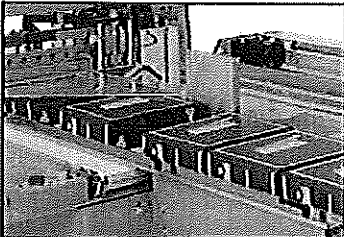
## Shanklin Automatic L-Sealer Options at a Glance

### Infeed Options

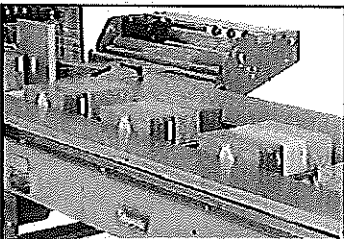
By selecting just the right combination of options, you can customize your Shanklin A-Series Automatic L-Sealer for the ultimate performance, efficiency and value!



Adjustable Flight  
Lug Infeed



Product Spacing  
Infeed Conveyor



Adjustable Flight  
Bar Infeed

Options	A-26A	A-27A	A-28A
Adjustable Flight Bar Infeed Conveyor	X	X	
Adjustable Flight Lug Infeed Conveyor	X	X	
Product Separating Infeed Conveyor	X	X	X
Closing Discharge Conveyor	X	X	X
Product Pressure Rollers over the Discharge Conveyor	X	X	X
EZ Load Compact Centerfolder	X	X	X
Dual Roll Compact Centerfolder	X	X	X
Dual Infeed Eyes	X	X	X
Print Registration	X	X	X
Discharge Rollers for Light Product	X	X	X
Casters	X	X	X
SmartWire Seal Jaws (In lieu of Hot Knife Jaws)	X	X	
EZ Film Thread Infeed Table	X	Standard	

For more information, please contact your Shanklin distributor.

# Shanklin® Automatic L-Sealers

## Meet the Shanklin "A" Team: Models A-26A, A-27A, and A-28A

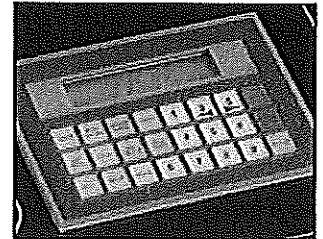
The Shanklin A-Series of compact, rugged, and versatile Automatic L-Sealers offers gentle product feed and straight line product flow that make them ideally suited for handling a wide variety of products. A-Series machines feature conveyor-fed automatic operation and are capable of processing up to 35 packages per minute, plus the L-Seal design provides great flexibility and quick product change. Each will accept randomly spaced product, fed either automatically or by hand.

- **Reliable**—Equipped with programmable controllers for simplicity of wiring and ease of troubleshooting; facilitates easy machine set-up and adjustment
- **Flexible**—Photoelectric sensor system automatically compensates for package length change; automatic film advance system allows light, flexible products to be fed through the machine with ease
- **Versatile**—Offers easy product and size changeover and the ability to handle virtually any type of film (depending on sealing system); most features are fully adjustable for maximum convenience
- **Safe**—Electrical controls are UL-listed (for meeting the highest safety standards); sealing area is protected by an electrically interlocked transparent hood through which the sealing process may be safely observed; hood may be easily lifted for full access when necessary
- **Secure**—Password protection capability safeguards sensitive machine functions
- **Easy to use and maintain**—EZ load unwind feature offers easy loading and threading capability; machine controls are located in front for quick and easy access

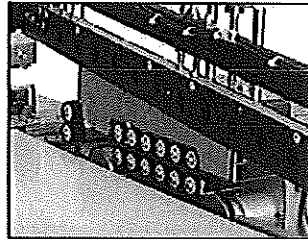
### Standard Value-Added Features



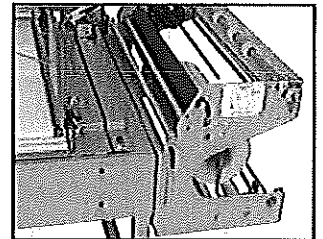
User Friendly  
Control Panel



Color Coded  
Touch Screen



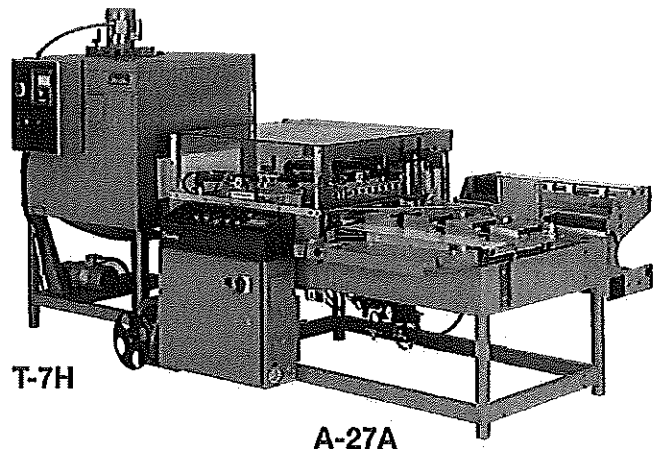
Automatic  
Film Puller



EZ Load  
Film Unwind

### The Perfect Partner

Pair your Shanklin Automatic L-Sealer with a Shanklin Shrink Tunnel for superior wraps every time!



T-7H

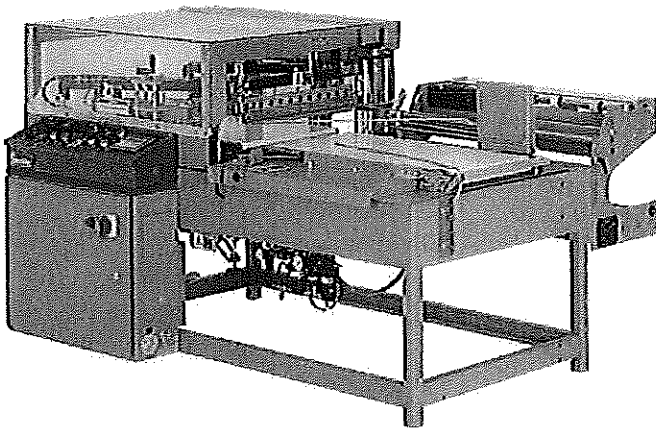
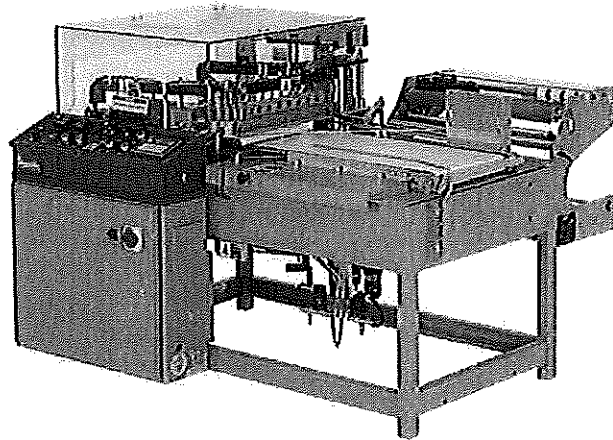
A-27A

---

## The Shanklin Automatic L-Sealers: Quality Comes Standard

### Model A-26A

The A-26A features adjustable height seal jaws and can automatically wrap a wide range of products, including high profile or short length items, at speeds up to 35 packages per minute. It is also available in a USDA approved model.

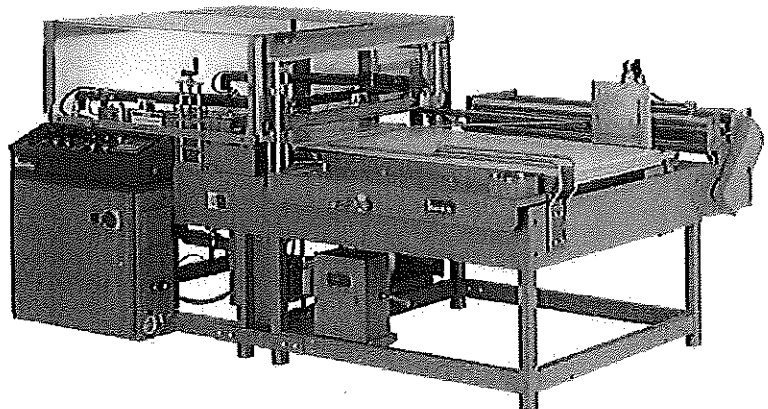


### Model A-27A

The A-27A possesses all of the same features as the A-26A, but with slightly larger allowances in its maximum seal size, product size, and film width specifications. EZ film threading is standard on the A-27A, which allows operators to move machine components for full access and visibility when threading film. The A-27A is also available in a USDA approved model.

### Model A-28A

The large-capacity workhorse model of the A-Series, the A-28A features adjustable height seal jaws specially designed for products too large to fit through the A-26A or A-27A, and is equipped with a heavy-duty discharge conveyor to wrap much heavier product than most automatic L-Sealers can handle.



# Shanklin Automatic L-Sealer Model Specifications

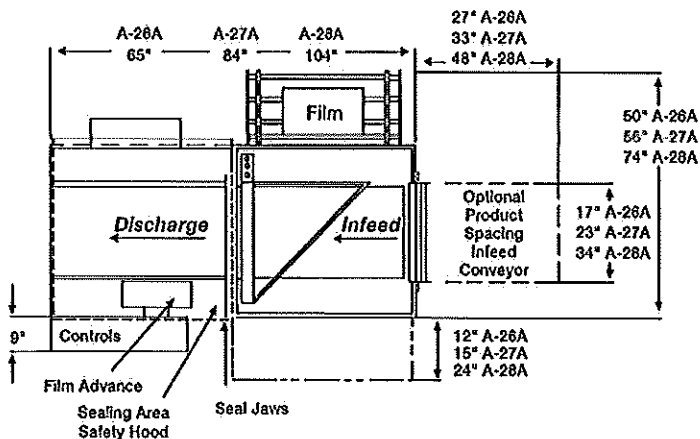
	Model A-26A	Model A-27A	Model A-28A
Seal Size	15"W x 21"L	21"W x 33"L	31"W x 43"L
Max. Product Height	5 1/2'	8'	10'
Min. Product Length	4' Standard 1 1/2' with optional closing conveyor	4' standard 2 3/4' with optional closing conveyor	7 1/2' standard 5' with optional closing conveyor
Max. Product Length	20'	31'	41'
Max. Film Width (Folded)	24'	30'	36'
Max. Film Width (Flat)	44' with compact centerfolder		60' with large compact centerfolder
Conveyor Height	Adjustable 31 1/2' - 37 1/2'		
Packaging Speeds*	Up to 35 packages per minute (standard)		25 packages per minute maximum
Longitudinal and Transverse Seal	Hot knife jaws or SmartWire		Hot knife jaws
Power	230V, 15 Amps, 60 Hz, 1 phase		
Compressed Air	0.5 C.F.M. free air at 60 psi		
Safety Devices	<ul style="list-style-type: none"> <li>Emergency stop button instantly stops all machine functions until manually reset</li> <li>A transparent hood, interlocked electrically with the automatic sequencing circuit, covers the sealing area; gas cylinders support the hood when it is lifted to allow access</li> <li>Film clamp proximity sensors ensure safe sealing arm jaw closure</li> </ul>		<ul style="list-style-type: none"> <li>Multiple safety interlocks</li> <li>Tamper-resistant controls</li> <li>Low voltage sensors and actuators</li> </ul>

\*Dependent on product and application.

U.S. Patent Nos. R30,010; 4,219,988; 4,339,093; 4,419,855; 5,097,939; 5,131,213; 5,321,230; and pending.  
Specifications on all machines subject to change without notice.  
Some photos may show accessories not part of the basic machine.

USDA APPROVED MODELS AVAILABLE

## A-26A/A-27A/A-28A Plan View



# Shanklin® Automatic L-Sealers

---

## A Tradition of Exceptional Craftsmanship



Shanklin's dedicated force of skilled craftsmen take pride in their ability to produce a truly superior product. Most of the specially manufactured parts that go into Shanklin machines are produced in our own factory, and our extensive use of computer-controlled equipment ensures maximum quality and consistency at minimum cost.

Shanklin machines are assembled by highly skilled technical professionals who excel at meeting our exacting specifications. Each machine is then carefully examined, tested and run in a typical application to ensure its optimum operation prior to shipping.

---

Distributed by:

 **Sealed Air**

Shrink Packaging  
100 Westford Road  
Ayer, MA 01432  
978-772-3200 Fax: 978-772-5660  
[www.shanklincorp.com](http://www.shanklincorp.com)

**Our Products Protect Your Products®**

Corporate Office: Sealed Air Corporation  
200 Riverfront Boulevard, Elmwood Park, NJ 07407 USA [www.sealedair.com](http://www.sealedair.com)  
© Reg. U.S. Pat. & TM Off. © Sealed Air Corporation (US) 2008. All rights reserved. Printed in the U.S.A. The "9 Dot Logo" and "Sealed Air" are registered trademarks of Sealed Air Corporation (US).

rev 3/5/08